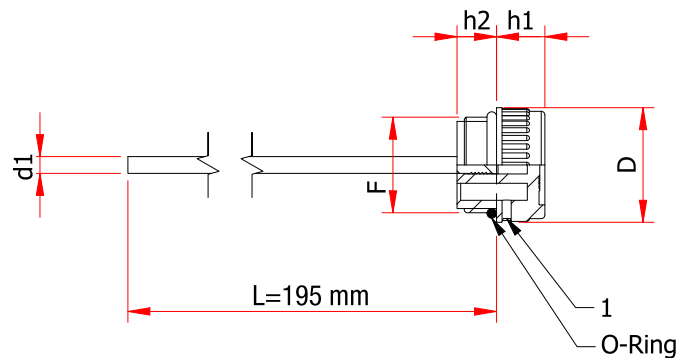
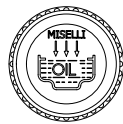


TCAZ(S) - KNURLED OIL FILL PLUG WITH DIPSTICK



1 = Vent hole

plastic closing plugs

Threaded plug with knurled head, ensuring high mechanical resistance at both low and high temperatures. These codes have the "fill" graphic symbol and the word OIL moulded on the top.

- **Material:** Polyamide PA66.
- **Sealing:** O-Ring NBR 70 Shore.
- **Maximum working temperature:** 100°C/212°F.
- **Breather:** model TCASZ has a breather hole located on the side of the hex with a diameter from 2 to 3,5 mm,

depending on the size.

- **Level dipstick:** cylindrical section with zinc steel phosphated surface, standard length 195 mm (± 5).

Special versions

- **Level dipstick:** customizable length with MIN-MAX notches.
- **Color:** red.

	Cod.	F	D	h2	h1	d1	Pack.
TCAZ/14	TCASZ/14	G 1/4"	20	9	9	4	100
TCAZ/38	TCASZ/38	G 3/8"	20,5	10	9	4	100
TCAZ/12	TCASZ/12	G 1/2"	28	10,5	10,5	4	100
TCAZ/34	TCASZ/34	G 3/4"	31	11	12	5	50
TCAZ/1	TCASZ/1	G 1"	39	12	12	5	50
TCAZ/114	TCASZ/114	G 1 1/4"	49	13,5	13	5	25
TCAZ/2	TCASZ/2	G 2"	68,5	16	15	5	25
TCAZ/14.15	TCASZ/14.15	M 14x1,5	20	9	9	4	100
TCAZ/16.15	TCASZ/16.15	M 16x1,5	20	10	9	4	100
TCAZ/18.15	TCASZ/18.15	M 18x1,5	28	10	10,5	4	100
TCAZ/20.15	TCASZ/20.15	M 20x1,5	28	10	10,5	4	100
TCAZ/22.15	TCASZ/22.15	M 22x1,5	28	11	10,5	4	100